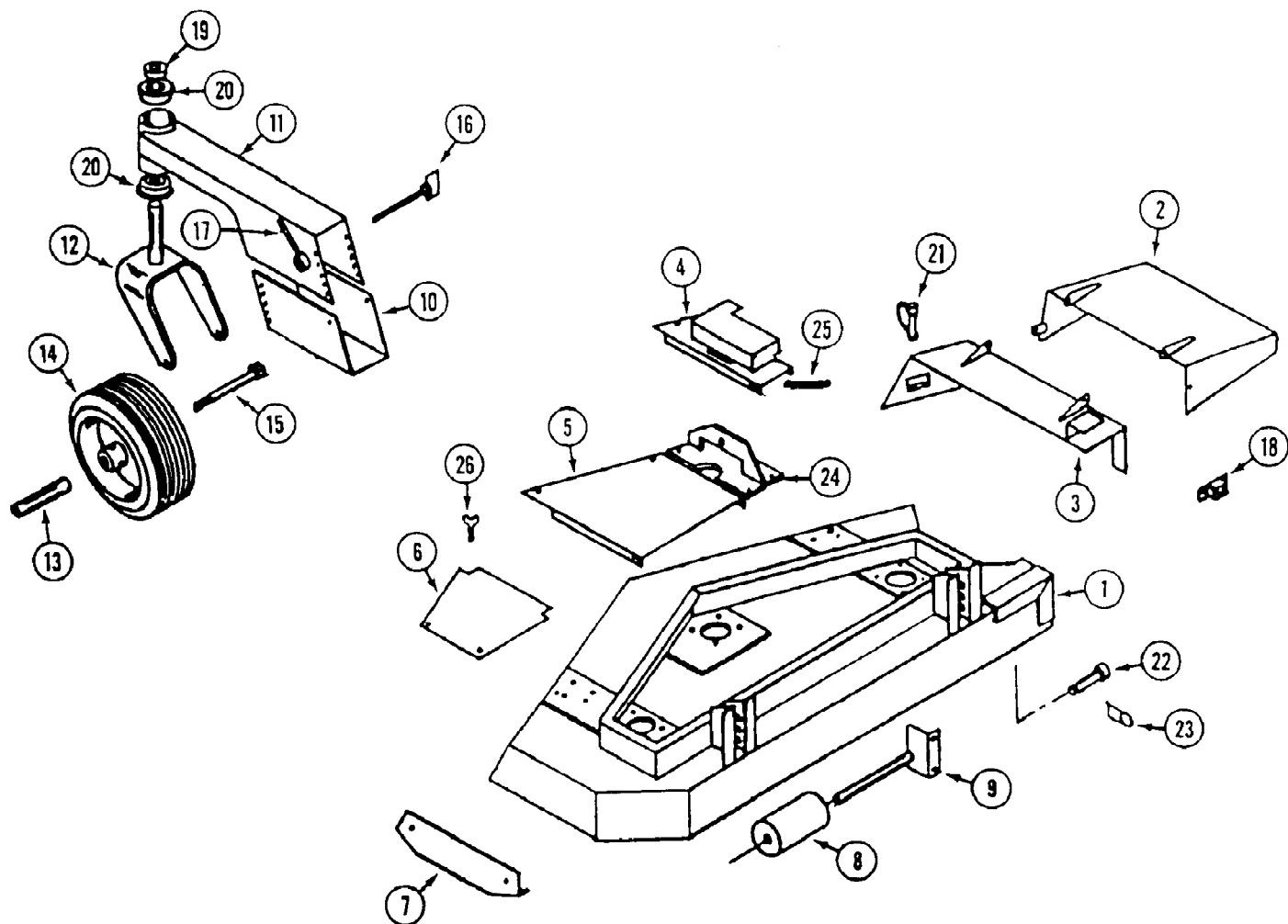


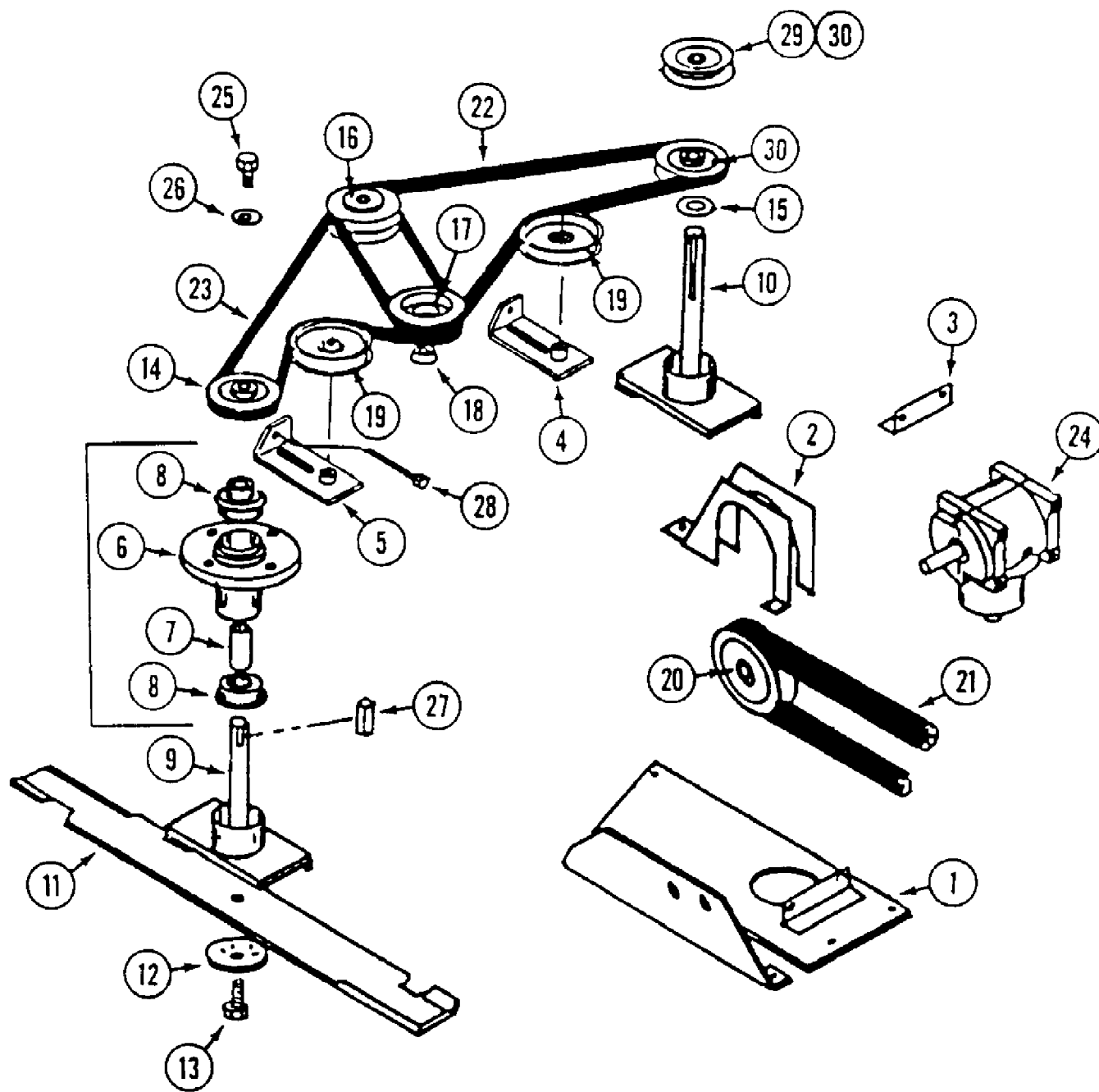
134-006-190 FR-16 (1994)  
42" Mower Deck & Attaching Parts



134-006-190 FR-16 (1994)  
42" Mower Deck & Attaching Parts

Page 2 of 39

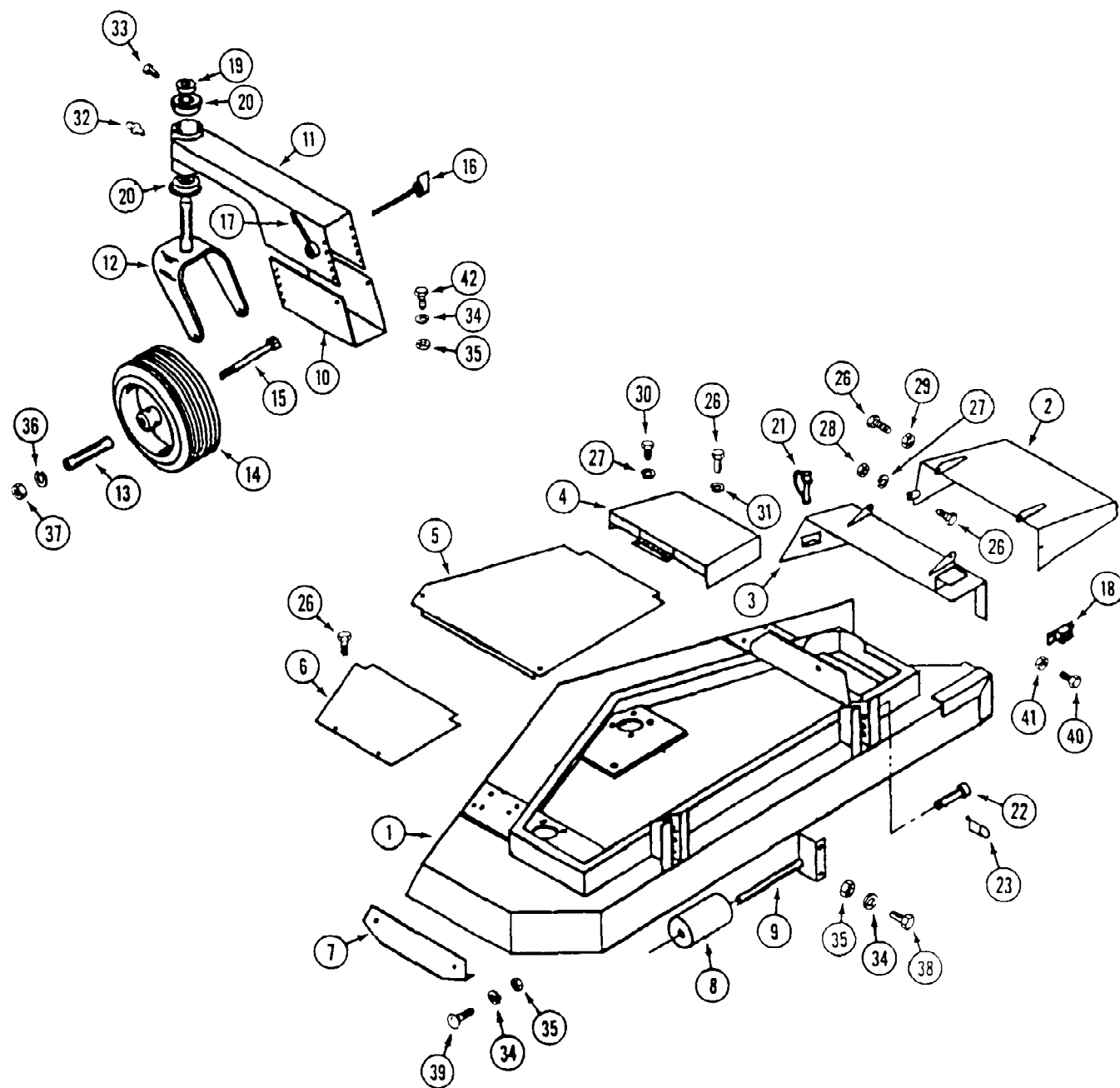
Ref #	Part Number	Qty	S/P/F	Description
1	WD-310-0000	1		DECK - 42"
2	WD-320-0015	1		CHUTE - foot guard
3	WD-320-0016	1		MOUNT - foot guard
4	WD-310-0002	1		COVER - pulley
5	WD-310-0003	1		COVER - center
6	WD-300-0001	1		COVER - L.H.
7	WD-310-0007	1	S	SHOE - skid L.H.
8	WD-900-5559	1		ROLLER - anti-scalp
9	WD-300-0038	1		SHAFT - roller
10	WD-300-0044	2	S	BRACKET - gauge wheel mount
11	WD-300-0043	2		MOUNT - gauge wheel
12	WD-320-0018	2		FORK
13	WD-320-0008	2		AXLE - wheel
14	WD-900-4020	2		WHEEL - gauge (1800, 1800C)
	WD-900-3510	2	S	BEARING - wheel
15	WD-900-6036	2		BOLT - axle
16	WD-900-6096	4		BOLT - wing
17	WD-900-6092	4		NUT - gauge wheel handle
18	WD-900-2044	1	S	BREAKER - circuit 10 amp.
19	WD-900-5510	2		COLLAR - set 1"
20	WD-900-3501	4	S	BEARING - 1"
21	WD-900-5615	1		PIN - "fas-tatch"
22	WD-900-5519	2		PIN - deck
23	WD-900-5520	2		PIN - cotter, hair
24	WD-310-0004	1		MOUNT - deck
25	WD-900-5562	1		SPRING
26	~NSS	4		SCREW - thumb 1/4" - 20 x 1/2" (Use 113-3 and 192-19)



134-006-190 FR-16 (1994)  
42" Mower Drive

Page 4 of 39

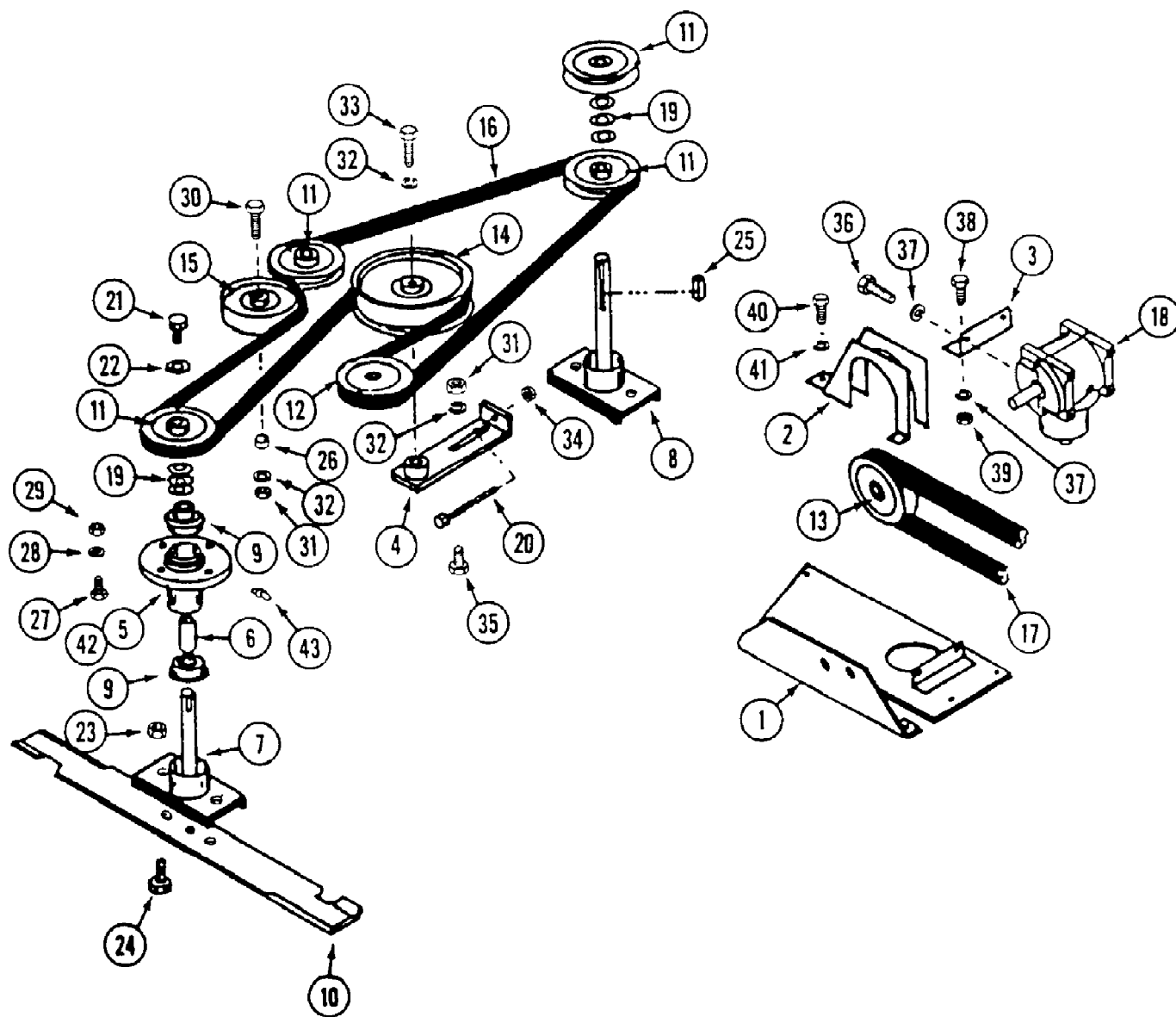
Ref #	Part Number	Qty	S/P/F	Description
1	WD-311-0001	1		MOUNT - gear box
2	WD-311-0002	1		GUARD - belt
3	WD-310-0006	1		ANGLE - gear box mount
4	WD-300-0029	1		TIGHTENER - belt
5	WD-300-0030	1		TIGHTENER - belt
6	WD-300-0025	3	S	HOUSING - spindle
7	WD-300-0027	3	S	SPACER - spindle
8	WD-900-3506	6	S	BEARING - spindle
9	WD-300-0026	2	S	SHAFT - spindle
10	WD-300-0033	1		SHAFT - spindle
11	WD-900-5531	3	S	BLADE
12	WD-900-5534	3	S	WASHER - blade
13	WD-900-6080	3	S	BOLT - 3/8" - 24 x 1-1/4"
14	WD-900-2507	2	S	PULLEY - spindle
15	WD-900-6002	9	S	WASHER - spacer
16	WD-900-2516	1	S	PULLEY - spindle, double
17	WD-900-2515	1		PULLEY - gear box output
18	WD-900-2515B	1		HUB - pulley
19	WD-900-2518	2	S	PULLEY - idler
20	WD-900-2525	1	S	PULLEY - gear box input
21	WD-900-3004	1	S	BELT - drive
22	WD-900-3006	1	S	BELT - deck
23	WD-900-3007	1	S	BELT - deck
24	WD-900-5842	1	S	GEAR BOX (For repairs). (Curtis model)
25	WD-900-6073	3	S	BOLT - 5/16" - 24 x 3/4"
26	WD-300-0017	3	S	WASHER - 5/16", 10 ga.
27	WD-300-0021	6	S	KEY - 3/16" x 3/16" x 1"
28	WD-900-6034	2		BOLT - 1/4" - 20 x 4"
29	WD-900-2528	1		PULLEY - spindle
30		1		UNKNOWN
?31	WD-600-0000	1	S	HOUSING ASSEMBLY - spindle (Includes ref. 6, 7, 8)



134-006-190 FR-16 (1994)  
52" Mower Deck & Attaching Parts

Page 6 of 39

Ref #	Part Number	Qty	S/P/F	Description
1	WD-C44086	1		DECK - 52"
2	WD-320-0015	1		CHUTE - foot guard
3	WD-320-0016	1		MOUNT - foot guard
4	WD-320-0011	1		COVER - pulley
5	WD-320-0022	1		COVER - center
6	WD-320-0001	1		COVER - L.H.
7	WD-320-0014	1		SHOE - skid
8	WD-900-5559	1		ROLLER - anti-scalp
9	WD-300-0038	1		SHAFT - roller
10	WD-300-0044	2	S	BRACKET - gauge wheel mount
11	WD-300-0043	2		MOUNT - gauge wheel
12	WD-330-0007	2		FORK
13	WD-200-0017	2	S	AXLE - wheel
14	WD-900-4004	2		WHEEL - gauge
	WD-900-4006	1		TIRE - 11 x 4.00 - 5
	WD-900-4005	1		RIM - 5"
	WD-900-3505	2	S	BEARING - wheel
15	WD-900-6133	2	S	BOLT - 1/2" - 13 x 6-1/2"
16	WD-900-6096	4		BOLT - wing
17	WD-900-6092	4		NUT - gauge wheel handle
18	WD-900-2044	1	S	BREAKER - circuit, 10 amp.
19	WD-900-5510	2		COLLAR - set
20	WD-900-3501	4	S	BEARING - 1"
21	WD-900-5615	1		PIN - "fas-tatch"
22	WD-900-5519	1		PIN - deck
23	WD-C29029	2		PIN - cotter, hair
26	WD-113-3	9		BOLT - 1/4" - 20 x 3/4"
27	WD-192-19	2		LOCKWASHER - 1/4"
28	WD-129-101	2		NUT - 1/4" - 20
29	WD-131-71	2		NUT - 1/4" - 20 lock
30	WD-113-1	2		BOLT - 1/4" - 20 x 1"
31	WD-195-102	1		WASHER - 1/4"
32	WD-C37993	2		FITTING - grease
33	WD-C37756	2		SCREW - set 5/16" - 18 x 1/2" square head
34	WD-900-6151	6		LOCKWASHER - 5/16"
35	WD-129-102	6		NUT - 5/16" - 18
36	WD-192-23	2		LOCKWASHER - 1/2"
37	WD-129-105	2	S	NUT - 1/2" - 13
38	WD-113-102	2		BOLT - 5/16" - 18 x 3/4"
39	WD-111-202	2		BOLT - 5/16" - 18 x 3/4" carriage
40	WD-182-528	2		SCREW - #10 - 32 x 1/2"
41	WD-900-6150	2		NUT - #10 - 32
42	WD-111-203	6		BOLT - 5/16" - 18 x 1" carriage



134-006-190 FR-16 (1994)  
52" Mower Drive

Page 8 of 39

Ref #	Part Number	Qty	S/P/F	Description
1	WD-321-0001	1		MOUNT - gear box
2	WD-311-0002	1		GUARD - belt
3	WD-310-0006	1		ANGLE - gear box mount
4	WD-330-0012	1		TIGHTENER - belt
5	WD-300-0025	3	S	HOUSING - spindle
6	WD-300-0027	3	S	SPACER - spindle Use before S/N: 011312057
6	WD-C45884	6		SPACER - spindle Use S/N after: 011312058
7	WD-C44128	3		SHAFT - spindle
8	WD-C44130	1		SHAFT - spindle, long
9	~NSS	3		BEARING - spindle (Use C45886 (2) and C45884). Use before S/N: 011312057
9	WD-C45886	6		BEARING - spindle 7/8" Use S/N after: 011312058
10	WD-C44136	3		BLADE - mower
11	WD-900-2511	4	S	PULLEY - spindle
12	WD-900-2510	1		PULLEY - gear box output
13	WD-900-2525	1	S	PULLEY - gear box input
14	WD-900-2521	1	S	PULLEY - idler, large
15	WD-900-2522	1	S	PULLEY - idler, small
16	WD-900-3005B	1	S	BELT - deck
17	WD-C44241	1	S	BELT - drive
18	WD-900-5842	1	S	GEAR BOX - angle drive (For repairs) (Curtis model)
18	WD-C42775	1	S	GEAR BOX - angle drive (For repairs) (Superior model)
19	WD-900-6002	12	S	SPACER - washer
20	WD-900-6034	1		BOLT - 1/4" - 20 x 4"
21	WD-114-201	3	/P	BOLT - 3/8" - 24 x 1-1/4"
22	WD-C45846	3		WASHER - spindle
23	WD-131-1216	6		NUT - 3/8" - 16 lock
24	WD-113-268	6		BOLT - 3/8" - 16 x 1"
25	WD-300-0021	6	S	KEY - 3/16" x 1"
26	WD-300-0016	1	S	SPACER - idler pulley
27	WD-113-312	12		BOLT - 7/16" - 14 x 1-1/4"
28	WD-192-22	12		LOCKWASHER - 7/16"
29	WD-129-104	12		NUT - 7/16" - 14
30	WD-113-257	1		BOLT - 3/8" - 16 x 2-1/2"
31	WD-129-103	1	S	NUT - 3/8"
32	WD-192-21	1	S	LOCKWASHER - 3/8"
33	WD-113-208	1		BOLT - 3/8" - 16 x 1-1/4"
34	WD-131-71	1		NUT - 1/4" - 20 lock
35	WD-111-371	1		BOLT - 3/8" - 16 x 1" carriage
36	WD-113-103	4		BOLT - 5/16" - 18 x 1"
37	WD-192-20	5		LOCKWASHER - 5/16"
38	WD-113-102	1		BOLT - 5/16" - 18 x 3/4"
39	WD-129-102	1		NUT - 5/16" - 18
40	WD-113-1	2		BOLT - 1/4" - 20 x 1/2"
41	WD-192-19	2		LOCKWASHER - 1/4"

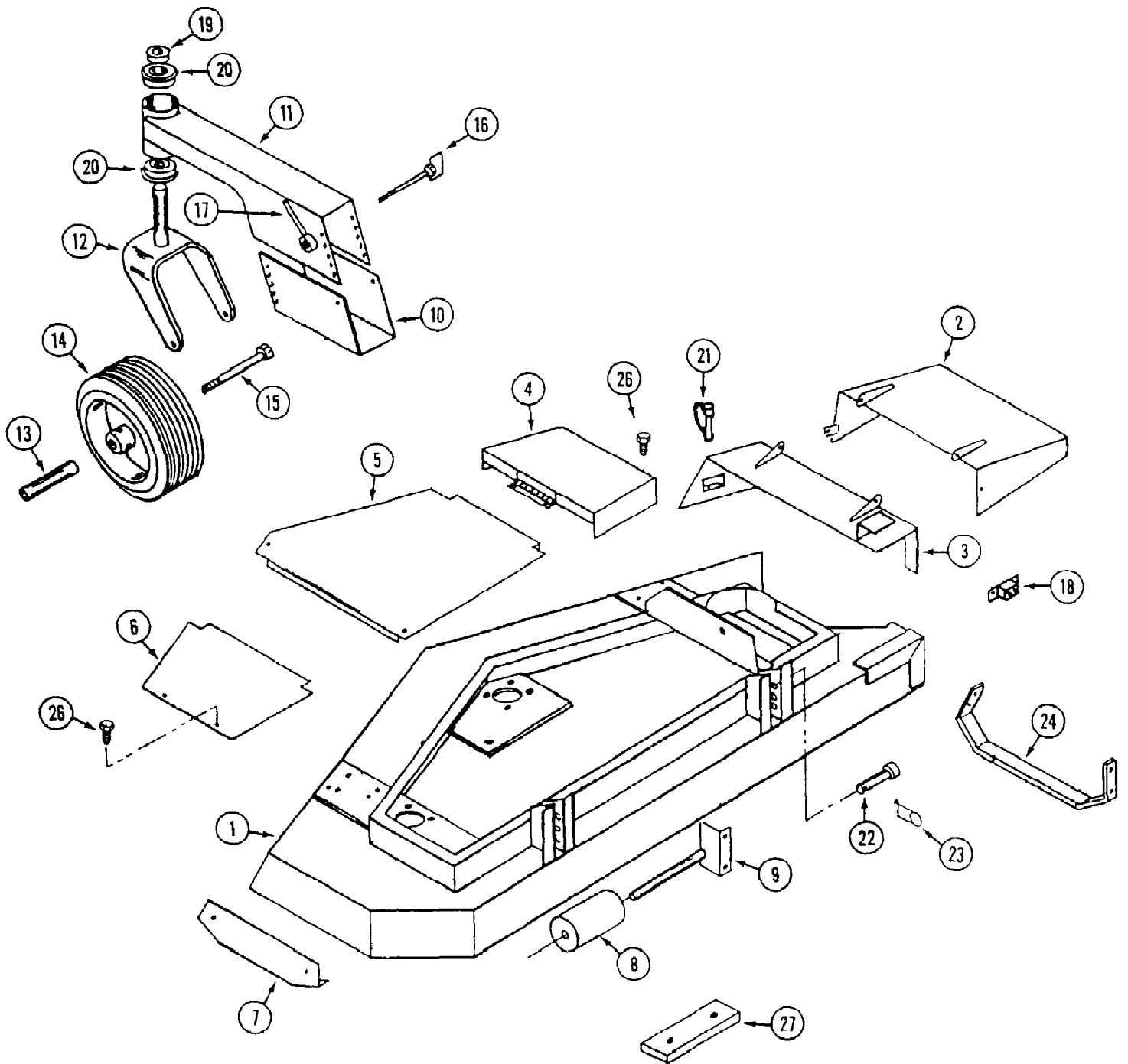


134-006-190 FR-16 (1994)  
52" Mower Drive

Page 9 of 39

Ref #	Part Number	Qty	S/P/F	Description
42	WD-C45859	3	/P	HOUSING ASSEMBLY - spindle (Includes ref. 5, 6, 9)
43	WD-219-20	3		FITTING - grease 1/4" - 28

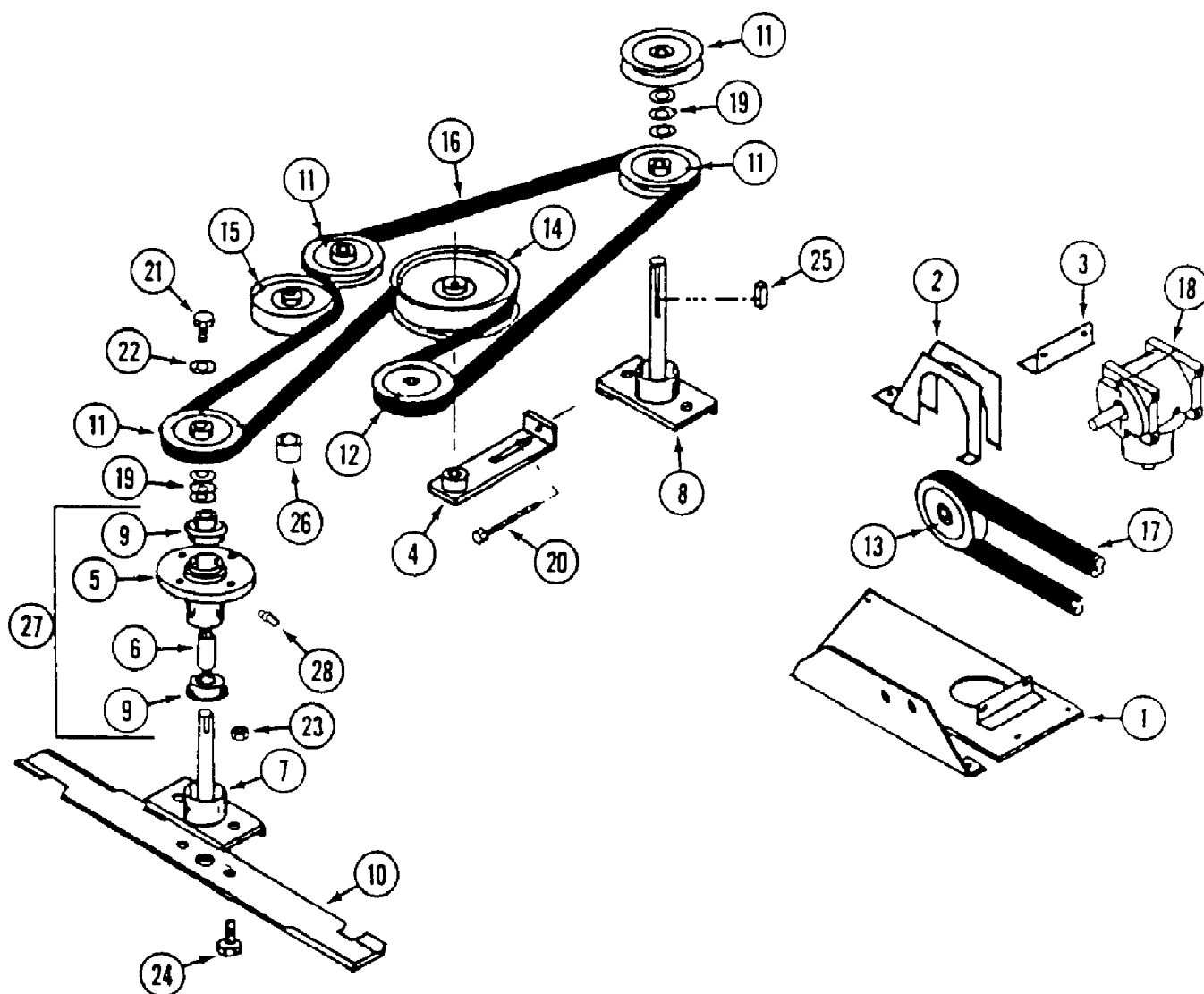
134-006-190 FR-16 (1994)  
62" Mower Deck & Attaching Parts



134-006-190 FR-16 (1994)  
62" Mower Deck & Attaching Parts

Page 11 of 39

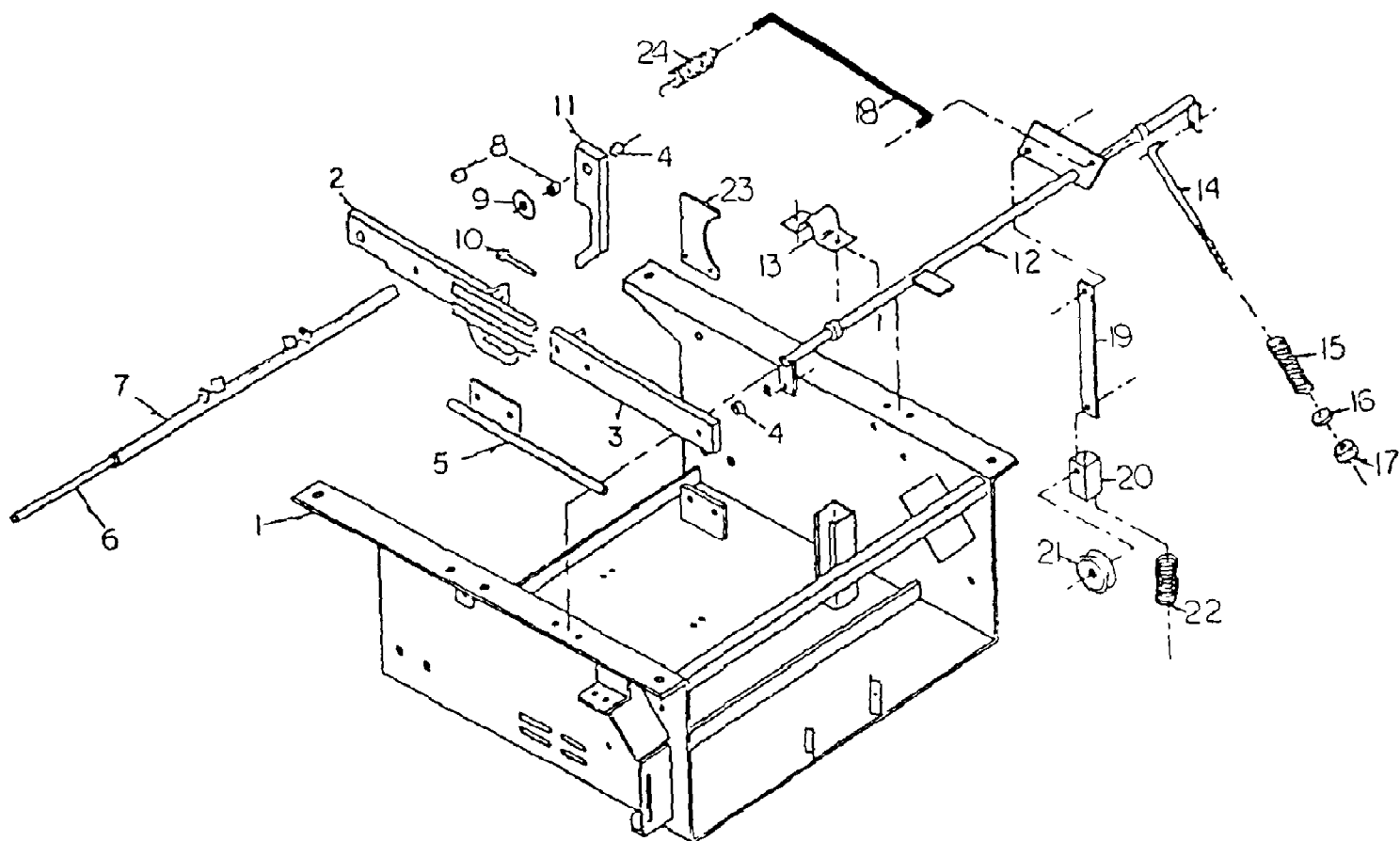
Ref #	Part Number	Qty	S/P/F	Description
1	WD-C44088	1	S	DECK - 62"
2	WD-330-0027	1		CHUTE - foot guard
3	WD-330-0028	1		MOUNT - foot guard
4	WD-330-0025	1		COVER - pulley
5	WD-330-0002	1		COVER - center
6	WD-330-0001	1		COVER - L.H.
7	WD-330-0008	1	S	SHOE - skid L.H.
8	WD-900-5559	1		ROLLER - anti-skid
9	WD-300-0038	1		SHAFT - roller
10	WD-300-0044	2	S	BRACKET - gauge wheel mount
11	WD-300-0043	2		MOUNT - gauge wheel
12	WD-330-0007	2		FORK - gauge wheel
13	WD-200-0017	2	S	AXLE - gauge wheel
14	WD-900-4004	2		WHEEL - gauge
	WD-900-4006	1		TIRE - 11 x 4.00 - 5
	WD-900-4005	1		RIM - 5"
	WD-900-3505	2	S	BEARING - wheel
15	WD-900-6133	2	S	BOLT - 1/2" - 13 x 6-1/2"
16	WD-900-6096	4		BOLT - wing
17	WD-900-6092	4		NUT - gauge wheel handle
18	WD-900-2044	1	S	BREAKER - circuit - 10 amp.
19	WD-900-5510	2		COLLAR - set 1"
20	WD-900-3501	4	S	BEARING - 1"
21	WD-900-5615	1		PIN - "fas-tatch"
22	WD-900-5519	2		PIN - deck
23	WD-C29029	2		PIN - cotter, hair
24	WD-330-0011	1	S	SHOE - skid R.H.
26	WD-113-3	9		BOLT - 1/4" - 20 x 3/4"
27	WD-230-0010	3		WEIGHT - tail, 13 lb.



134-006-190 FR-16 (1994)  
62" Mower Drive

Page 13 of 39

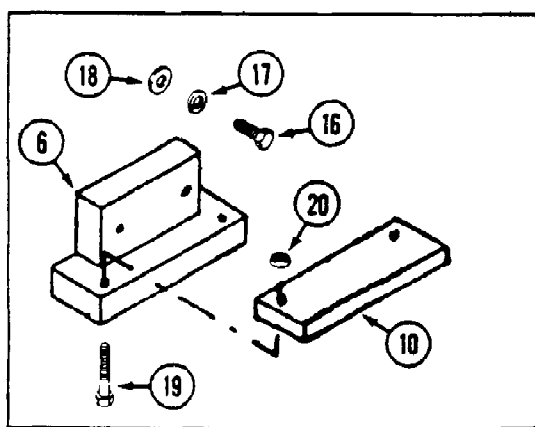
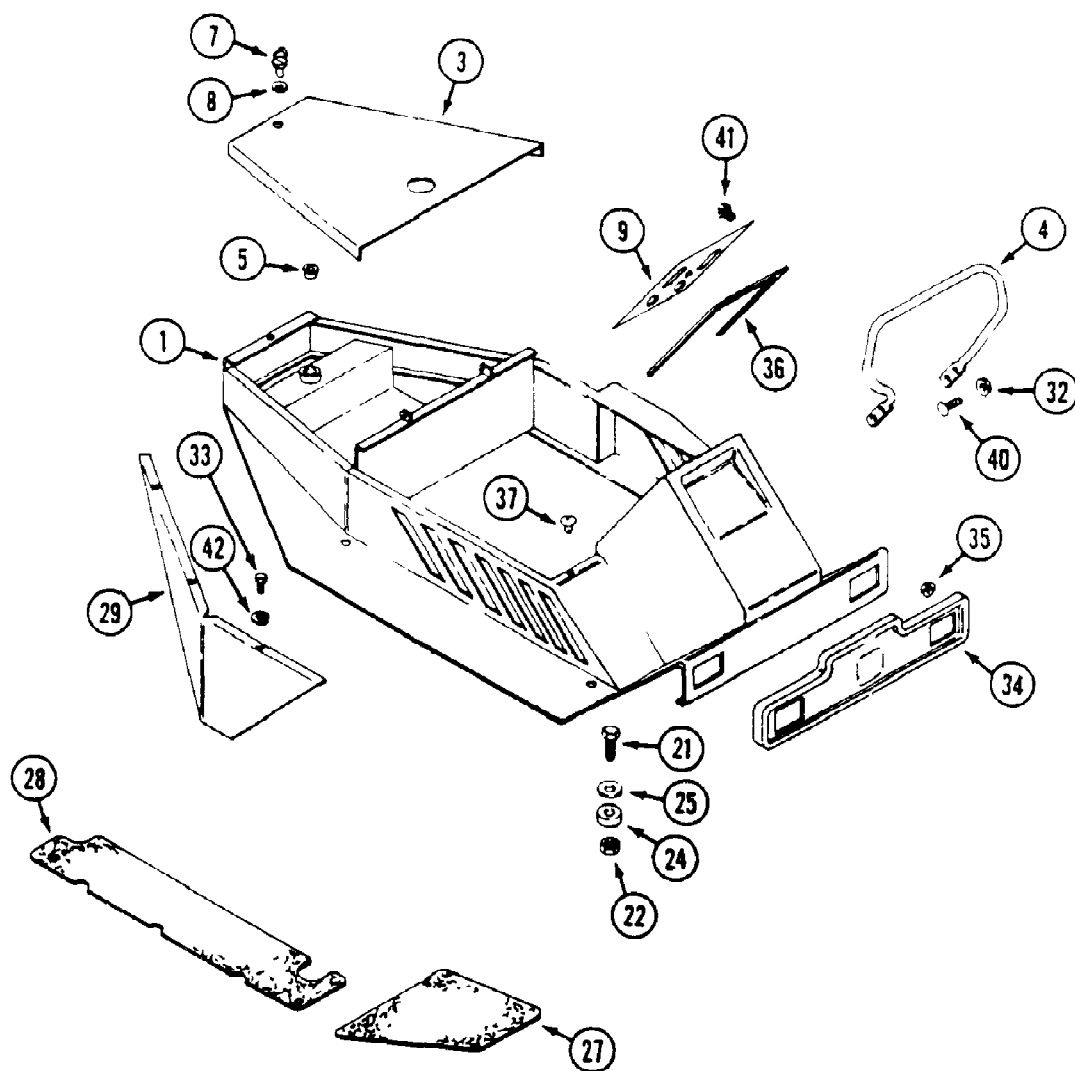
Ref #	Part Number	Qty	S/P/F	Description
1	WD-331-0004	1		MOUNT - gear box
2	WD-311-0002	1		GUARD - belt (Early production)
3	WD-310-0006	1		ANGLE - gear box mount
4	WD-330-0012	1		TIGHTENER - belt
5	WD-300-0031	3	S	HOUSING - spindle
6	WD-300-0034	3	S	SPACER - spindle Use before S/N: 011306008
6	WD-C45885	3		SPACER - spindle Use S/N after: 011306009
7	WD-C44132	2		SHAFT - spindle, short
8	WD-C44134	1		SHAFT - spindle, long
9	~NSS	6		BEARING - spindle (Use C45886 (2) and C45885). Use before S/N: 011306008
9	WD-C45886	6		BEARING - spindle 7/8" Use S/N after: 011306009
10	WD-C44138	3		BLADE
11	WD-900-2512	4		PULLEY - spindle
12	WD-900-2510	1		PULLEY - gear box output
13	WD-900-2525	1	S	PULLEY - gear box input
14	WD-900-2521	1	S	PULLEY - idler, large
15	WD-900-2522	1	S	PULLEY - idler, small
16	WD-900-3008B	1	S	BELT - deck
17	WD-C44241	1	S	BELT - drive
18	WD-900-5842	1	S	GEAR BOX - angle drive (For service). (Curtis model)
18	WD-C42775	1	S	GEAR BOX - angle drive (For service). (Superior model)
19	WD-900-6002	12	S	WASHER - spacer
20	WD-900-6034	1		BOLT - 1/4" - 20 x 4"
21	WD-114-201	3	/P	BOLT - 3/8" - 24 x 1-1/4"
22	WD-C45846	3		WASHER - spindle
23	WD-131-1216	3		NUT - 3/8" - 16 lock
24	WD-113-268	3		BOLT - 3/8" - 16 x 1"
25	WD-300-0021	6	S	KEY - 3/16" x 3/16" x 1"
26	WD-300-0016	1	S	SPACER - idler pulley
27	WD-C45860	3	/P	HOUSING ASSEMBLY - spindle (Includes ref. 5, 6, 9)
28	WD-219-20	3		FITTING - grease 1/4" - 28



134-006-190 FR-16 (1994)  
Base Assembly

Page 15 of 39

Ref #	Part Number	Qty	S/P/F	Description
1	WD-111-0000	1		Base
2	WD-300-0023RH	1		Deck Lift Arm, Front R.H.
	WD-300-0023LH	1		Deck Lift Arm, Front L.H.
3	WD-301-0024	1		Deck Lift Arm, Back R.H.
	WD-301-0024LH	1		Deck Lift Arm, Back L.H.
4	WD-300-0013S	3	S	Bushing, Short
5	WD-300-0041	1		Wire Tube
6	WD-300-0022	1		Cross Bar Pin
7	WD-300-0014	1		Cross Bar
8	WD-300-0013	3	S	Bushing, Long
9	WD-200-0015	1		Body Mount Washer
10	WD-900-6088	2		Tap Bolt, 3/8-16 x 3", GR5
11	WD-111-0023	1		Forward Nose Down Lock
12	WD-111-0037	1		Brake Clutch Cross Rod
13	WD-111-0004	2	S	Bearing, Brake Cross Rod
14	WD-111-0007	2		Caliper Rod
15	WD-900-5568	2		Caliper Spring
16	WD-900-6029	2		Flatwasher, 1/4"
17	WD-900-6027	2		Elastic Stop Nut, 1/4-20
18	WD-113-0006	1		Brake Pedal Rod
19	WD-113-0012	1		Cross Rod to Idler Pulley
20	WD-111-0019	1		Spring Loaded Idler Mount
21	WD-900-2501	1	S	Idler Pulley
22	WD-900-5580	1		Spring
23	WD-111-0012	1		Belt Retainer
24	WD-900-5503	1	S	Brake Pedal Spring

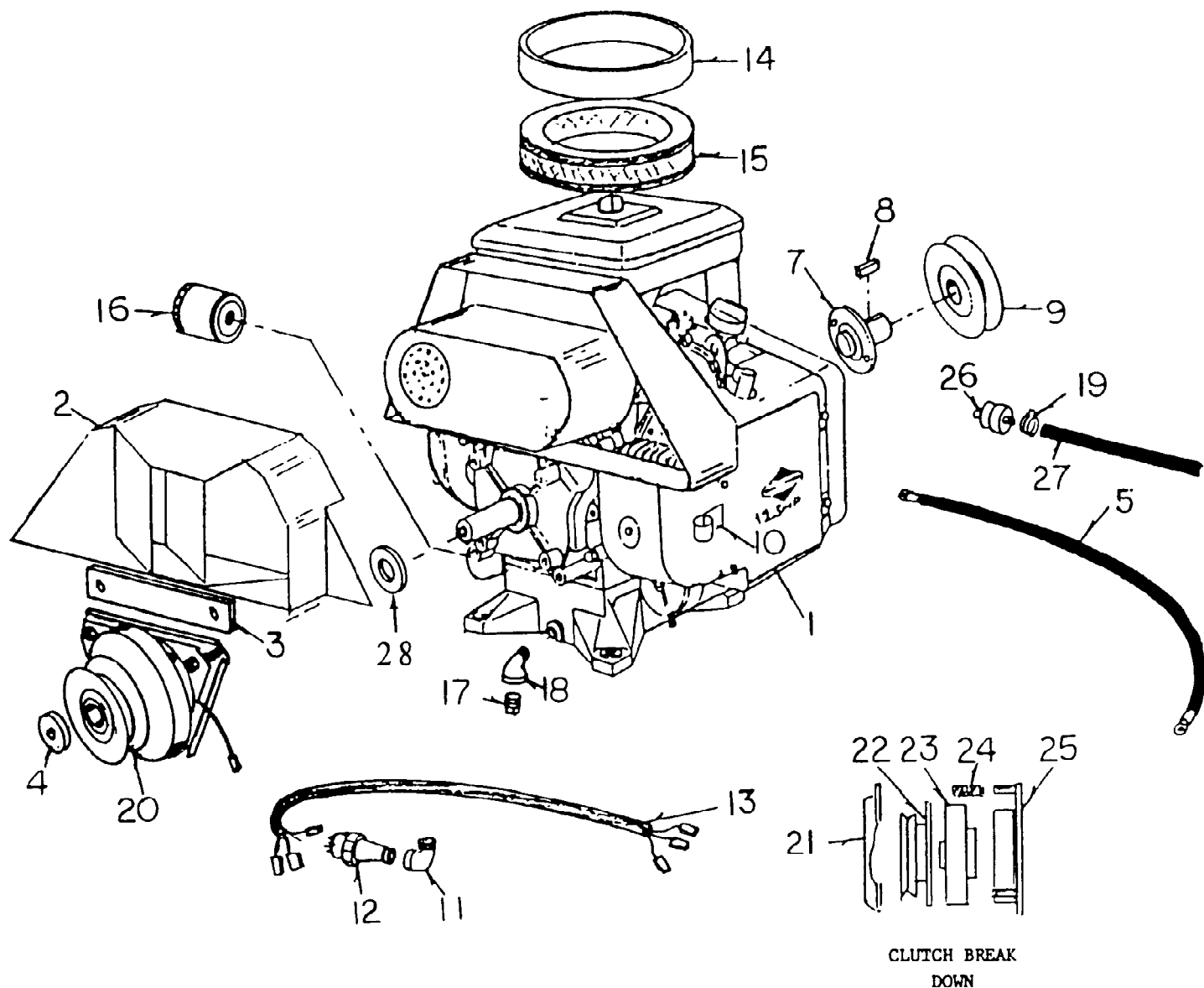




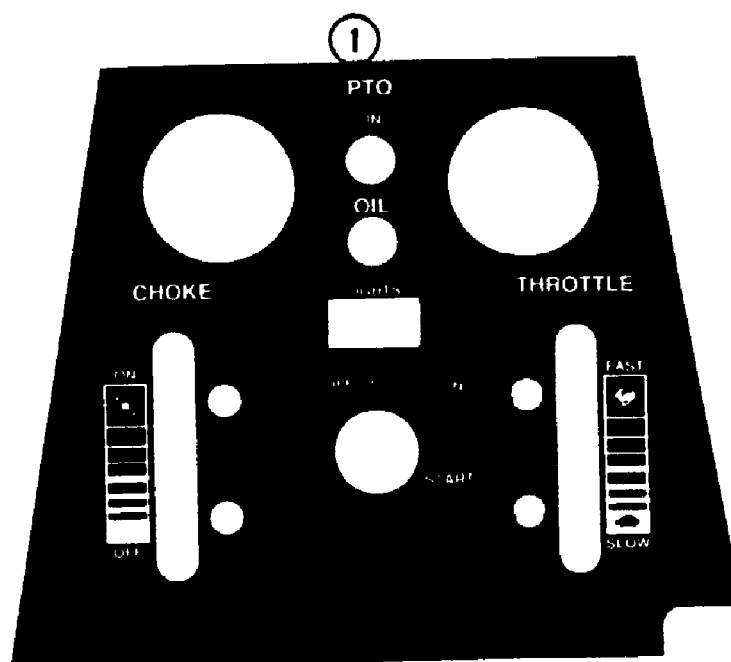
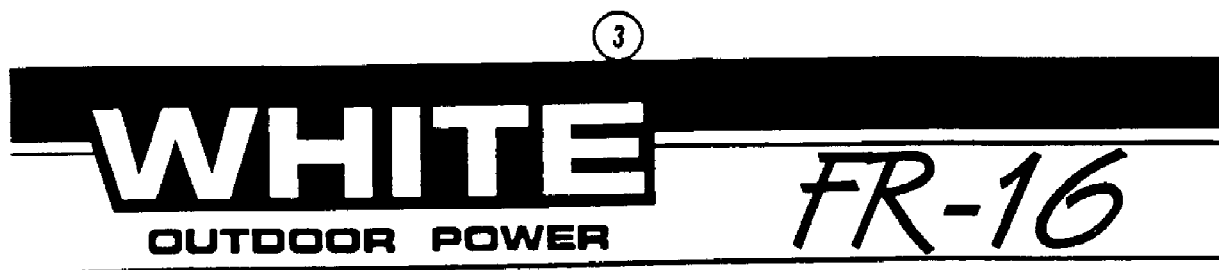
134-006-190 FR-16 (1994)  
Body

Page 17 of 39

Ref #	Part Number	Qty	S/P/F	Description
1	WD-C44954	1		BODY
3	WD-C41163	1		COVER - back
4	WD-C44844	1		BAR - handle
5	WD-900-3501	2	S	BEARING - rear wheel fork
6	WD-230-0002	1		WEIGHT - tail (Optional)
7	WD-C41944	1		STUD - fastener
8	WD-C41945	1		GROMMET - fastener
9	C42053	1		PANEL - dash
10	WD-230-0010	2		WEIGHT - tail 13 lb. (Optional)
16	WD-113-103	2		BOLT - 5/16" - 18 x 1"
17	WD-192-20	2		LOCKWASHER - 6/16"
18	WD-195-103	2		WASHER - 5/16"
19	WD-113-259	2		BOLT - 3/8" - 16 x 4-1/2"
20	WD-131-1352	2		NUT - 3/8" - 16 flange lock
21	WD-113-425	4	S	BOLT - 1/2" - 13 x 3"
22	WD-131-70	4	S	NUT - 1/2" lock
24	WD-900-5509	8		MOUNT - body, rubber
25	WD-200-0015	4		WASHER - mount, body
27	WD-C39525	1		PAD - footrest, front L.H.
	WD-C39526	1		PAD - footrest, front R.H. (Shown)
28	WD-C44955	1		PAD - footrest, rear L.H.
	WD-C44956	1		PAD - footrest, rear R.H.
29	WD-C41167	1		SKIRT - L.H.
	WD-C41171	1		SKIRT - R.H.
?30	WD-113-118	4		BOLT - 6/16" - 18 x 5/8"
?31	Wd-195-103	4		WASHER - 5/16"
32	WD-131-911	8	S	NUT - 5/16" - 18 flange lock
33	WD-C34808	8		BOLT - 1/4" - 20 x 3/4 self-tap
	WD-C42056	10		BOLT - 5/16" - 18 x 5/8" black
	WD-C42057	4		BOLT - 5/16" - 18 x 1-3/4" black
34	WD-C44973	1		PLATE - face
35	WD-131-971	2		NUT - #8 - 32 flange lock
36	WD-C44035	1		TRIM - 28"
37	WD-900-5522	4		BUMPER - nylon
40	WD-111-132	4		BOLT - 5/16" - 18 x 3/4" carriage
41	WD-900-6152	4		SCREW - #12 x 1/2"
42	WD-192-19	8		LOCKWASHER - 1/4"



Ref #	Part Number	Qty	S/P/F	Description
1		1		Briggs & Stratton Twin
2	WD-C45077	1		Air Duct
3	WD-113-0010	2	S	Clutch Stop
4	WD-900-5575	1		Clutch Retainer Washer
5	WD-900-2010	1		Starter Cable
7	WD-100-0013	1	S	Stub Shaft
8	WD-100-0014	1	S	Key, 1/4" x 1/4" x 1"
9	WD-900-2503	1	S	Pulley
10	WD-100-0021	1		Starter Cable Retainer
11	WD-900-5020	1		Street Elbow, 1/8" x 90°
12	WD-900-5017	1	S	Oil Sending Unit
13	WD-C42240	1		Harness - oil unit
14	WD-900-5008	1	S	Precleaner
15	WD-900-5005	1	S	Air Cleaner Cartridge
16	WD-900-5022	1	S	Oil Filter
17	WD-900-8024	1		Plug, 3/8"
18	WD-900-5604	1		Street Elbow, 3/6"
19	WD-900-5525	4	S	Fuel Line Clamp
20	WD-900-5581	1	S	Clutch (Complete)
21	WD-900-5582	1		Clutch Brake
22	WD-900-5583	1		Clutch armature
23	WD-900-5584	1	S	Clutch Rotor
24	WD-900-5586	1		Spring & Nut Set (3 Ea.)
25	WD-900-5585	1	S	Clutch Coil
26	WD-900-5514	1	S	Fuel Filter
27	WD-900-5515	1		Fuel Line
28	WD-C31614	UAR		Spacer - clutch
	WD-C45078	1		Extension - exhaust duct, front
	WD-C45079	1		Extension - exhaust duct, rear

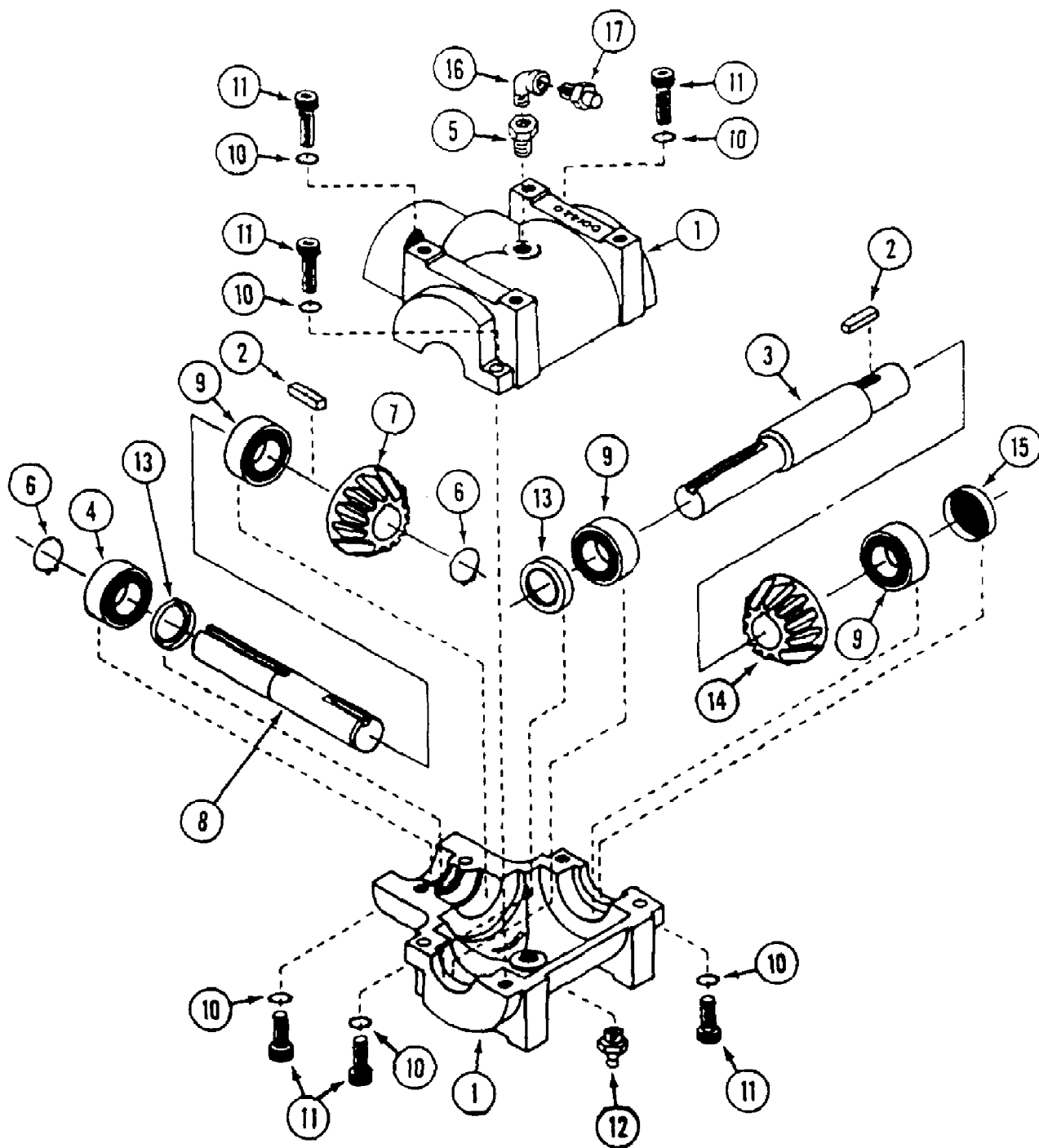


134-006-190 FR-16 (1994)

Page 21 of 39

## Decals

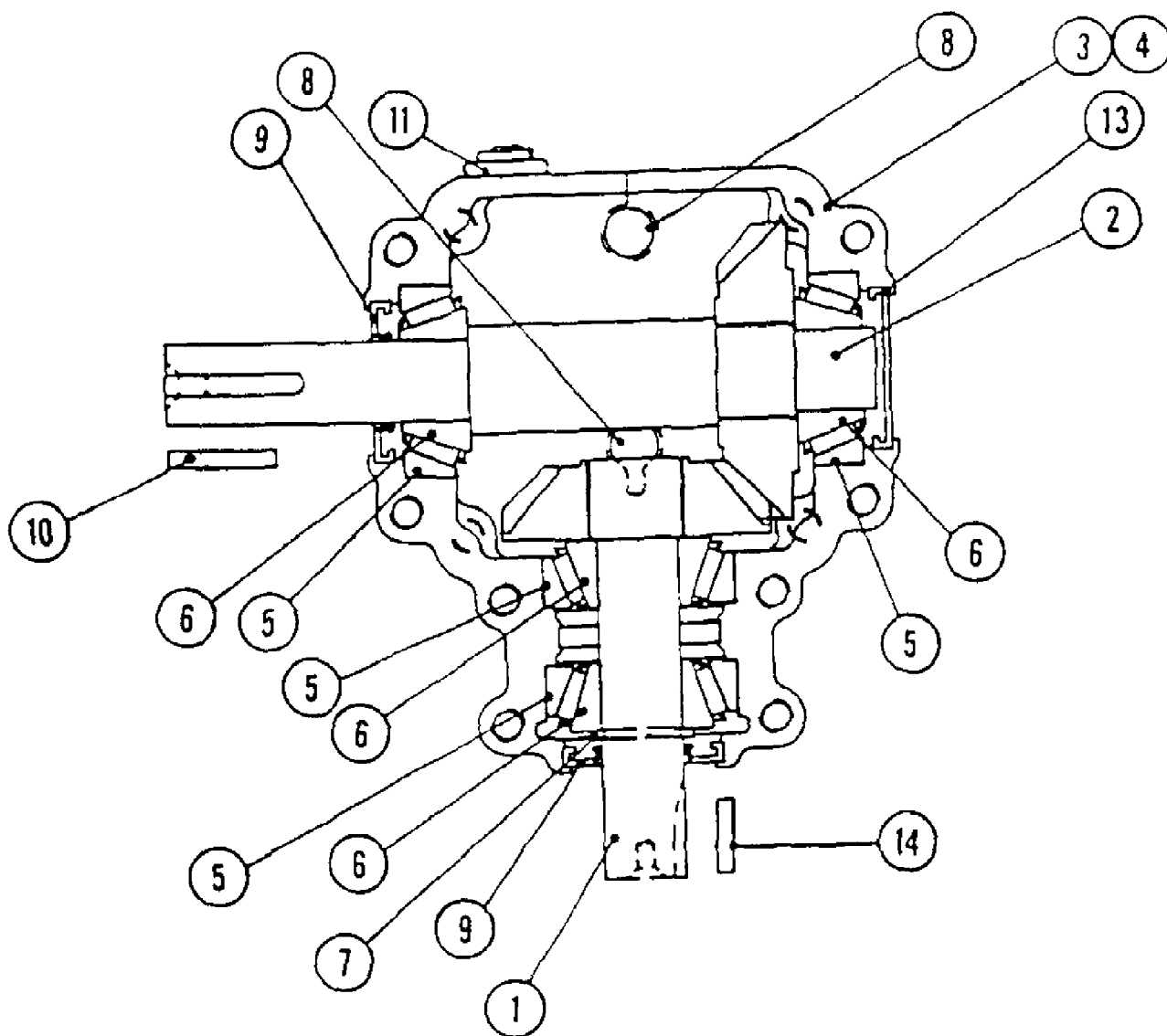
Ref #	Part Number	Qty	S/P/F	Description
1	WD-C44974	1		DECAL - dash
2	WD-C45054	1		DECAL - body front
3	WD-C45055	1		DECAL - body side R.H. (Shown)
3	WD-C45056	1		DECAL - body side L.H.
4	WD-C44979	1		DECAL - brake lock



134-006-190 FR-16 (1994)  
Gear Box (Curtis)

Page 23 of 39

Ref #	Part Number	Qty	S/P/F	Description
	WD-900-5842	1	S	GEAR BOX
1	WD-900-7036	2		HOUSING - half
2	WD-900-7001	2	S	KEY - 3/16" x 3/16" x 1"
3	WD-900-7037	1		SHAFT - input
4	WD-900-7008	1	S	BEARING - ball
5	WD-15001	1		BUSHING - pipe 1/4" x 1/8"
6	WD-900-7005	2		RING - retaining
7	WD-900-7038	1		GEAR - output shaft
8	WD-900-7044	1	S	SHAFT - output
9	WD-900-7041	3	S	BEARING - ball
10	WD-900-7009	6		LOCKWASHER
11	WD-900-7010	6		CAP SCREW - allen head
12	WD-900-7053	1	S	FITTING - grease 1/4" NPT
13	WD-900-7042	2	S	SEAL - shaft
14	WD-900-7040	1		GEAR - input shaft
15	WD-900-7043	1	S	PLUG - expansion
16	WD-900-5020	1		ELBOW - street 1/8" x 90°.
17	WD-900-7004	1	S	VALVE - relief
	WD-999-2010	1		GREASE - synthetic, cartridge





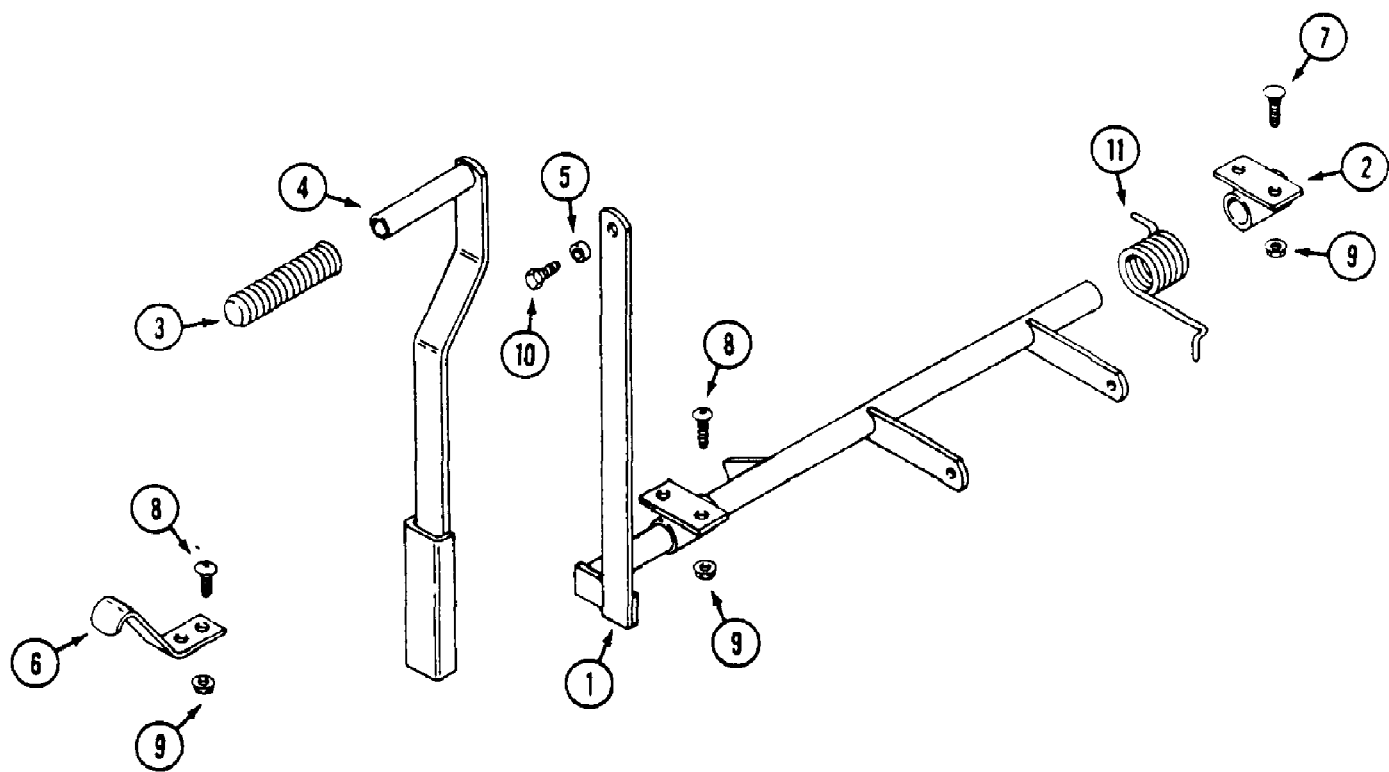
134-006-190 FR-16 (1994)  
Gear Box (Superior)

Page 25 of 39

Ref #	Part Number	Qty	S/P/F	Description
1	WD-C42924	1		SHAFT - pinion, with gear
2	WD-C42923	1		SHAFT - cross, with gear
3	WD-C42917	1		HOUSING - with tapped holes
4	WD-C42927	1		HOUSING - with thru holes (Not shown)
5	WD-C42918	4		CUP - bearing
6	WD-C42921	4		CONE - bearing
7	WD-C42919	1		RING - retaining
8	WD-C42920	3		PLUG - pipe 1/4"
9	WD-C42922	2		SEAL - shaft
10	WD-300-0021	1	S	KEY - 3/16" x 1" input shaft
11	WD-C42928	1		PIPE - vent
?12	WD-C42926	8		BOLT - 5/16" x 1" socket head (Not shown)
13	WD-C42925	1		CAP - end
14	WD-C28215	1		KEY - 3/16" x 5/8" output shaft

134-006-190 FR-16 (1994)  
Lift Lever

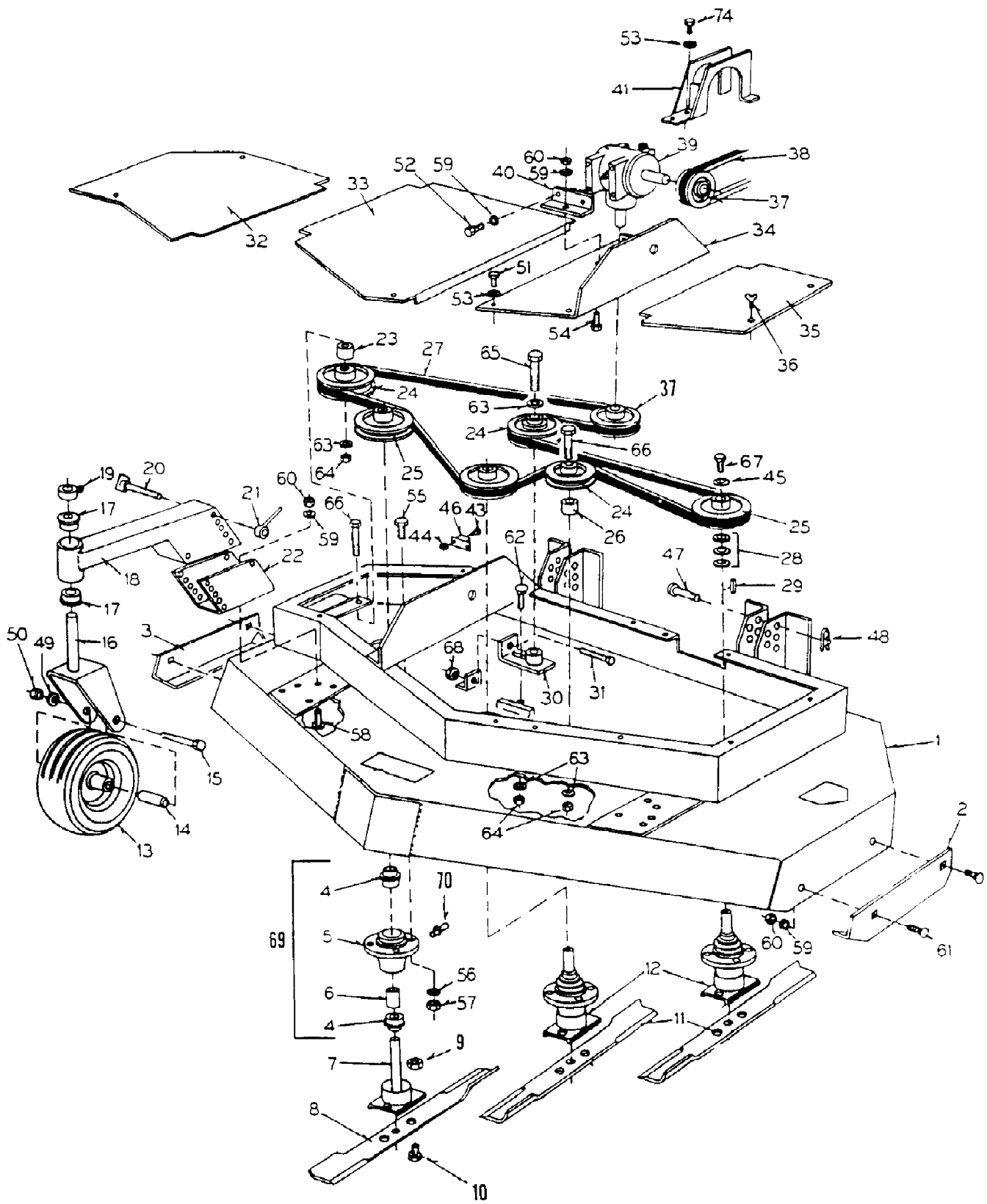
Page 26 of 39



134-006-190 FR-16 (1994)  
Lift Lever

Page 27 of 39

Ref #	Part Number	Qty	S/P/F	Description
1	WD-C44942	1		LEVER - lift
2	WD-C44948	1		PIVOT - lift
3	WD-900-5500	1	S	GRIP - handle
4	WD-C44949	1		EXTENSION - lift lever, upper
5	WD-C42895	1	/P	BUSHING
6	WD-C44952	1		BRACKET - lever lock down
7	WD-111-132	4		BOLT - carriage 5/16" - 18 x 3/4"
8	WD-C44959	4		SCREW - 5/16" - 18 x 1" allen head
9	WD-131-911	8	S	NUT - 5/16" - 18 flange lock
10	WD-113-1	1		BOLT - 1/4" - 20 x 1/2"
11	WD-C45120	1		SPRING - torsion

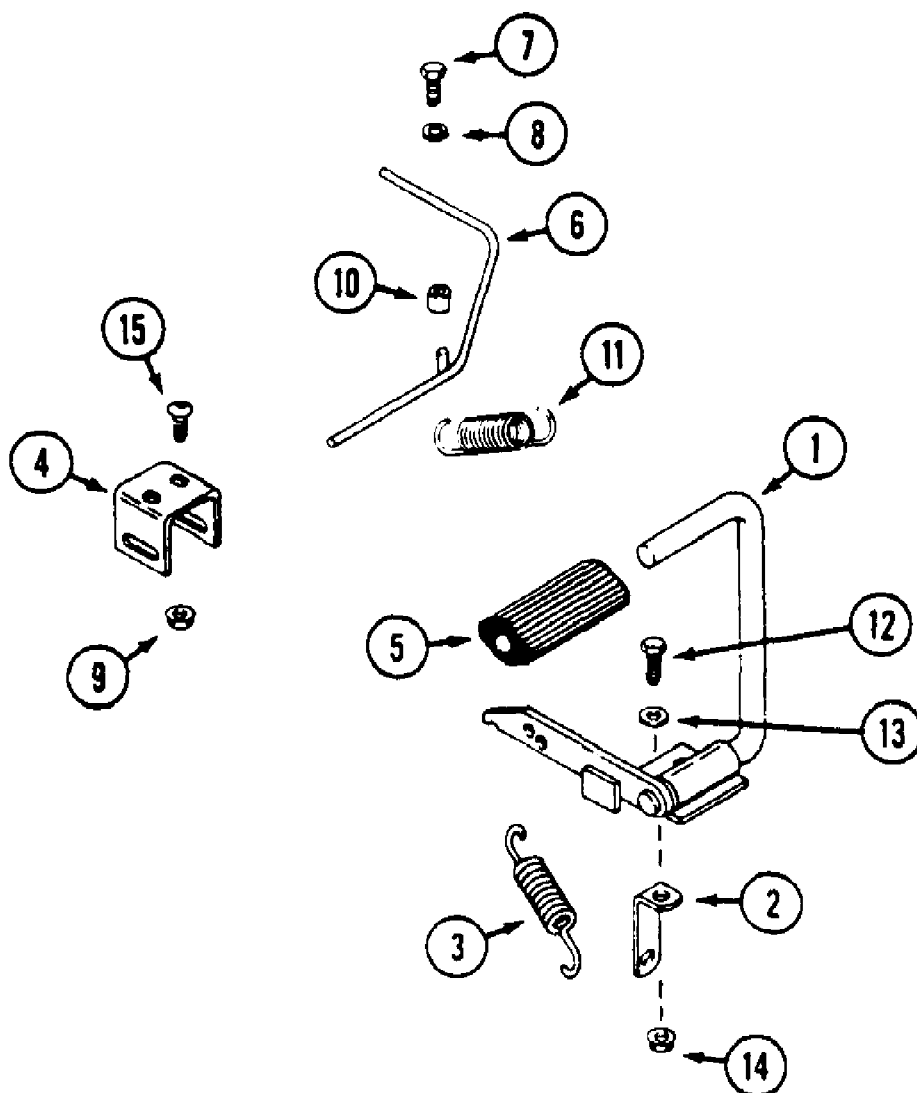


## Mower Deck &amp; Attaching Parts (52" Rear Discharge)

Ref #	Part Number	Qty	S/P/F	Description
1	WD-C44087	1		DECK - rear discharge 52"
2	WD-320-0014	1		SHOE - skid L.H.
3	WD-321-0003	1		SHOE - skid R.H.
4	~NSS	6	F	BEARING - spindle 7/8" (Use C45886 (2) and C45884)
	WD-C45886	6	F	BEARING - spindle 7/8"
5	WD-300-0025	3	S	HOUSING - spindle
6	WD-300-0027	3	S/F	SPACER - spindle
	WD-C45884	3	F	SPACER - spindle
7	WD-C44128	1		SHAFT - spindle L.H. rotation
8	WD-C44137	1		BLADE - L.H. rotation
9	WD-131-1216	6		NUT - 3/8" - 16 lock
10	WD-113-268	6		BOLT - 3/8" - 16 x 1
11	WD-C44136	2		BLADE - R.H. rotation
12	WD-C44128	2		SHAFT - spindle
13	WD-900-4004	2		WHEEL - gauge
	WD-900-4006	1		TIRE - 11 x 4.00 - 5
	WD-900-4005	1		RIM - 5"
	WD-900-3505	2	S	BEARING - wheel
14	WD-200-0017	2	S	AXLE - gauge wheel
15	WD-900-6133	2	S	BOLT - 1/2" - 13 x 6-1/2"
16	WD-330-0007	2		FORK - gauge wheel
17	WD-900-3501	4	S	BEARING - 1"
18	WD-300-0043	2		MOUNT - gauge wheel
19	WD-900-5510	2		COLLAR - set 1"
20	WD-900-6096	4		BOLT - wing 3/8" - 16 x 4-1/2"
21	WD-900-6092	4		NUT - gauge wheel handle 3/8" - 16
22	WD-300-0044	2	S	BRACKET - gauge wheel mount
23	WD-321-0005	1		SPACER - idler pulley
24	WD-900-2558	3	S	PULLEY - idler 5"
25	WD-900-2557	3		PULLEY - spindle 4-1/2"
26	WD-300-0016	1	S	SPACER - idler pulley
27	WD-900-3028	1	S	BELT
28	WD-900-6002	9	S	WASHER - spacer
29	WD-300-0021	5	S	KEY - 3/16" x 3/16" x 1"
30	WD-300-0015	1		TIGHTENER - belt
31	WD-900-6034	1		BOLT - 1/4" - 20 x 4"
32	WD-321-0002	1		COVER - R.H.
33	WD-320-0002	1		COVER - center
34	WD-321-0001	1		MOUNT - gear box
35	WD-320-0001	1		COVER - L.H.
36	~NSS	6		SCREW - thumb 1/4" - 20 x 1/2" (Use 113-3 and 192-19)
37	WD-900-2525	1	S	PULLEY - gear box input
38	WD-C44241	1	S	BELT - drive (1800C)
39	WD-900-5842	1	S	GEAR BOX - angle drive (For service) (Curtis model)
	WD-C42775	1	S	GEAR BOX - angle drive (For service) (Superior model)
40	WD-310-0006	1		ANGLE - gear box mount
41	WD-311-0002			

## Mower Deck &amp; Attaching Parts (52" Rear Discharge)

Ref #	Part Number	Qty	S/P/F	Description
?42	WD-900-6106	2		BOLT - 3/8" - 24 x 1-1/4" L.H.
43	WD-C37597	2		SCREW - #10 - 32 x 1/2"
44	WD-900-6150	2		NUT - lock #10 - 32
45	WD-C45846	3		WASHER - spindle
46	WD-900-2044	1	S	BREAKER - circuit 10 amp.
47	WD-900-5519	2		PIN - clevis 1/2" x 1-1/2"
48	WD-900-5520	2		PIN - cotter, hair
49	WD-900-6127	2	S	LOCKWASHER - 1/2"
50	WD-C37593	2	S	NUT - 1/2" - 13
51	WD-C38084	5		BOLT - 1/4" - 20 x 3/4"
52	WD-C38085	4		BOLT - 5/16" - 18 x 1"
53	WD-C37757	7		LOCKWASHER - 1/4"
54	WD-C38086	1		BOLT - 5/16" - 18 x 3/4"
55	WD-C38087	1		BOLT - 7/16" - 14 x 1-1/4"
56	WD-C38088	12		LOCKWASHER - 7/16"
57	WD-C38089	12	/P	NUT - 7/16" - 14
58	WD-C38090	6		BOLT - carriage 5/16" - 18 x 1"
59	WD-C37748	10		LOCKWASHER - 5/16"
60	WD-C37560	10		NUT - 5/16"
61	WD-C38091	4		BOLT - carriage 5/16" - 18 x 3/4"
62	WD-C38092	1	S	BOLT - carriage 3/8" - 16 x 1"
63	WD-C37591	4		LOCKWASHER - 3/8"
64	WD-C37592	3	S	NUT - 3/8" - 16
65	WD-C38093	1		BOLT - 3/8" - 16 x 1-1/4"
66	WD-C38094	2		BOLT - 3/8" - 16 x 2-1/2"
67	WD-114-201	3	/P	BOLT - 3/8" - 24 x 1-1/4"
68	WD-C37734	1	S	NUT - lock 1/4" - 20
69	WD-C45859	3	/P	HOUSING ASSEMBLY - spindle (Includes ref 4, 5 and 6)
70	WD-219-20	3		FITTING - grease 1/4" - 28
74		1		UNKNOWN

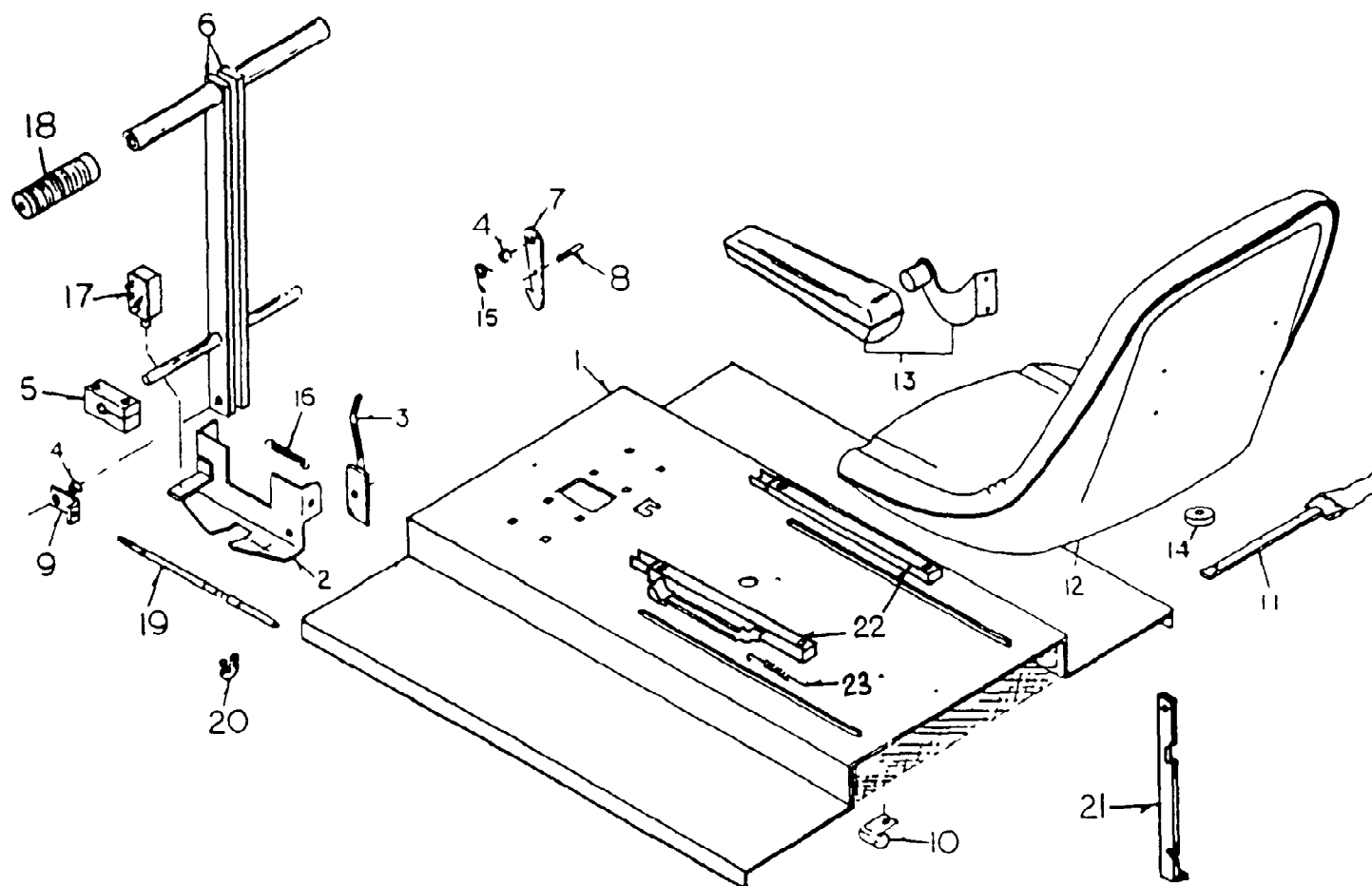


134-006-190 FR-16 (1994)  
Parking Brake

Page 32 of 39

Ref #	Part Number	Qty	S/P/F	Description
1	WD-C44420	1		PEDAL - parking brake
2	WD-C44424	1		TAB - spring mount
3	WD-900-5569	1	S	SPRING - brake return
4	WD-C44425	1		BRACKET - brack lock
5	WD-900-5563	1	S	PAD - brake pedal
6	WD-C44969	1		LEVER - brake lock
7	WD-C42056	1		SCREW - 5/16" - 18 x 5/8" allen head
8	WD-900-6151	1		LOCKWASHER - 5/16"
9	WD-131-934	2		NUT - 1/4" - 20 flange lock
10	WD-201-0002	1		TAB - pivot
11	WD-900-5562	1		SPRING - return, lock lever
12	WD-113-103	2		BOLT - 5/16" - 18 x 1"
13	WD-195-103	1		WASHER - 5/16"
14	WD-131-911	2	S	NUT - 5/16" - 18 flange lock
15	WD-C44981	2		SCREW - 1/4" - 20 x 1/2" allen head

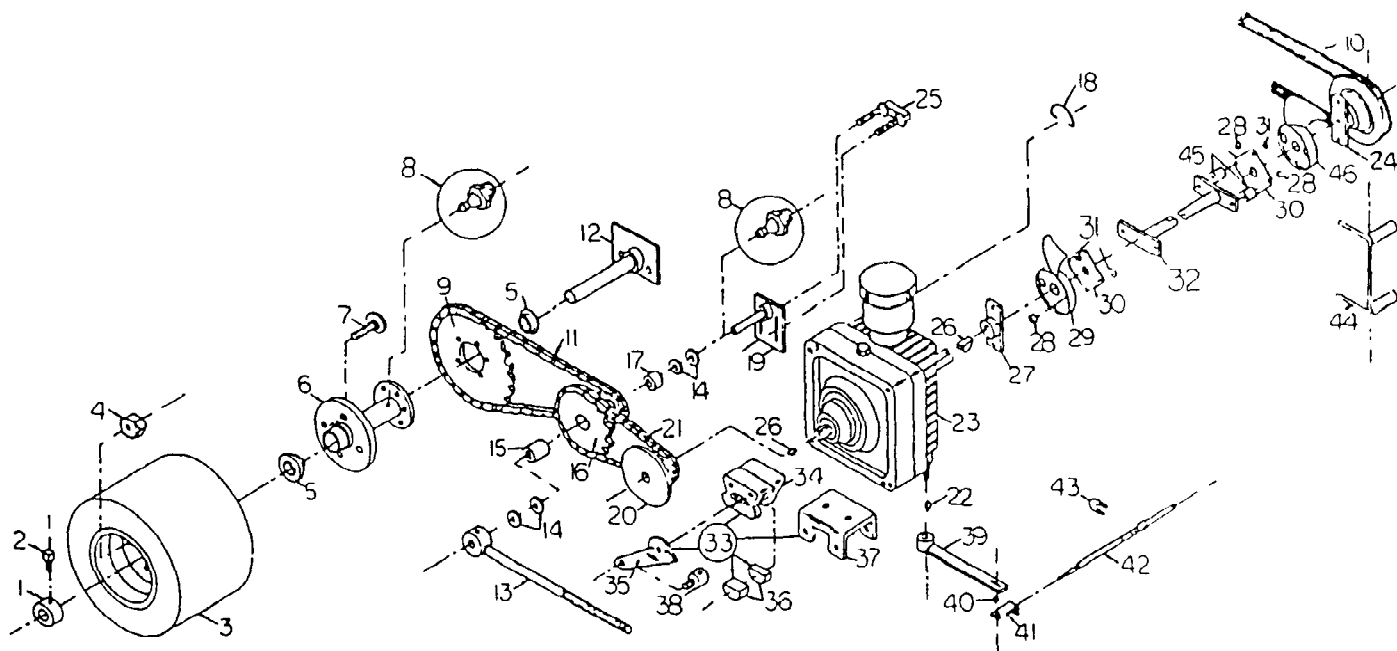




134-006-190 FR-16 (1994)  
Seat Lid Assembly

Page 34 of 39

Ref #	Part Number	Qty	S/P/F	Description
1	WD-201-0004	1		Seat Lid
2	WD-201-0010	1		Lever Lock
3	WD-200-0012	1		Latch, Lever Lock
4	WD-200-0014	5	S	Bushing
5	WD-200-0010	4		Bearing Block
6	WD-C44915	2		Steering Lever
7	WD-201-0015	1		Seat Lid Latch
8	WD-201-0014	1		Seat Lid Latch Bolt
9	WD-200-0013	4	S	Steering Cable End
10	WD-201-0018	1		Seat Lid Harness Retainer
11	WD-900-2001	1		Seat Switch
12	WD-900-5597	1		Seat
13	~NSS	1		Arm Rest Kit (Optional)
14	WD-900-5523	4		Seat Spacer
15	WD-900-5700	1		Seat Lid Latch Spring
16	WD-900-5501	1		Lever Lock Spring
17	WD-900-2029	1	S	Safety Switch
18	WD-900-5500	2	S	Handle Grip
19	WD-900-5502	2	S	Steering Cable
20	WD-900-5503	4	S	Steering Cable Clamp
21	WD-200-0008	1		Lid Prop
22	WD-900-5813	1		Seat Rail Kit (Pair)
23	WD-900-5767	1		Seat Spring

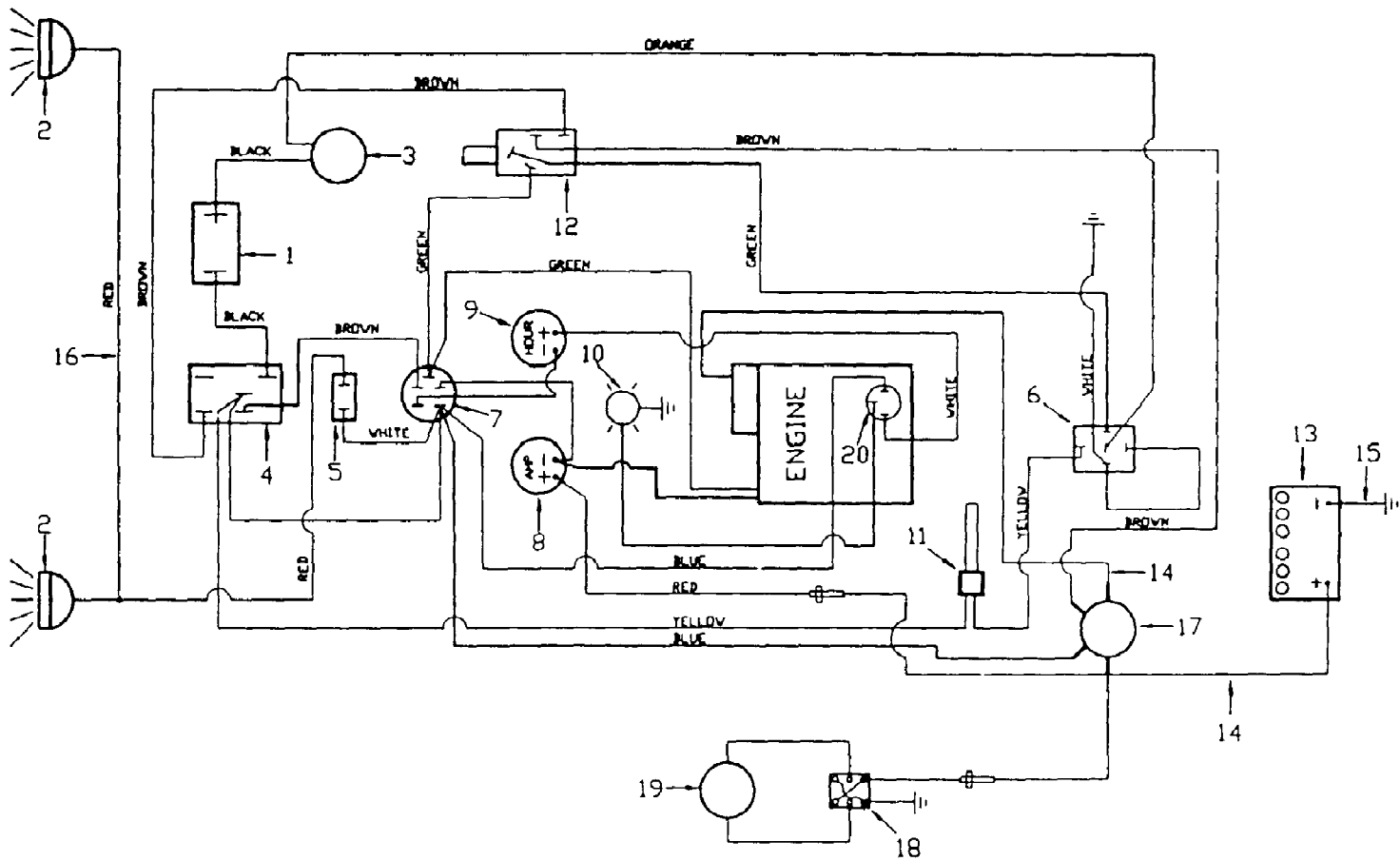


Ref #	Part Number	Qty	S/P/F	Description
1	WD-900-5510	2		Set Collar, 1"
2	WD-900-6058	2		Squarehead Setscrew, 5/16 - 18 x 1/2"
3	WD-900-4012	2		Drive Wheel Ass'y., 16 x 7.50-8
	WD-900-4021	1		Drive Tire, 16 x 7.50-8
	WD-900-4003	1		Rim, 8" x 5 1/2"
4	WD-900-6138	8		Lug Nut, 1/2-20
5	WD-900-3501	4	S	Drive Wheel Bearing
6	WD-900-4033	1		HUB - drive wheel
7	WD-900-6137	8		Lug Bolt, 1/2-20 x 1 1/4"
8	WD-900-5619	4		Self - tapping Zerk, 1/4-28
9	WD-901-1502	2	S	Final Drive Sprocket, 40A 54
10	WD-900-3011	1	S	Transmission Belt
11	WD-C44081	1		CHAIN - final drive
12	WD-100-0001	2		Drive Wheel Axle
13	WD-100-0017	2	S	Support Collar
14	WD-900-6003	8		Machine Washer, 3/4", 10 GA.
15	WD-900-3500	2	S	Idler Sprocket Bearing, 1/2"
16	WD-901-1501	2	S	Idler Sprocket
	WD-901-1501A	1	S	Idler Sprocket w/Bearings
17	WD-900-3502	2		Idler Sprocket Bearing, 3/4"
18	WD-900-4510	2		Transmission Dump Valve Clip
19	WD-100-0002	2	S	Idler Sprocket Shaft
20	WD-901-1505	2	S	Transmission Sprocket w/Brake disc
21	WD-C44083	1	S	CHAIN - primary drive
22	WD-900-4524	2		Woodruff Key, 1/8" x 3/8"
23	WD-900-4504	1	S	Transmission, L.H. (Shown)
	WD-900-4505	1		Transmission, R.H.
	WD-900-4523	1		Transmission Diaphragm
	WD-900-4528	1	S	Seal Kit, For model 6
	WD-900-4529	1		Trans. Reservoir Kit, For model 6
24	WD-900-4521	1	S	Pulley w/Drive Plate
25	WD-100-0016	2		Bolt Bar
26	WD-900-4508	4	S	Woodruff Key, 1/8" x 1/2"
27	WD-900-4522	1		Hub w/Drive Plate
28	WD-111-0025	4		Bolt Spacer
29	WD-900-4520	1		Fan, ccw
30	WD-111-0021	2	S	Drive Plate
31	WD-900-6161	6		Washer, 1/4", 10 GA.
32	WD-111-0018	1		Cross Shaft
33	WD-900-5690	1		Brake Assembly, L.H.
	WD-900-5691	1		Brake Assembly, R.H.
34	WD-900-5564	1		Brake Caliper
35	WD-900-5565	1		Caliper Lever, L.H.
	WD-900-5566	1		Caliper Lever, R.H.
36	WD-900-5567	1	S	Brake Pad (Set)
37	WD-900-5588	1		Caliper Bracket
38	WD-111-0014	2		Caliper Rod Collar
39	WD-900-4506	1		Transmission arm, L.H.
	WD-900-4507	1		Transmission Arm, R.H.
40	WD-200-0014	2	S	Cable End Bushing
41	WD-200-0013	2	S	Steering Cable End
42	WD-900-5502	2	S	Steering Cable
43	WD-900-5503	2	S	Steering Cable Clamp

134-006-190 FR-16 (1994)  
Transmission & Chain Drives

Page 37 of 39

Ref #	Part Number	Qty	S/P/F	Description
44	WD-111-0003	1		Transmission Belt Retainer
45	WD-111-0022	2		Spacer
46	WD-900-4519	1	S	Fan, cw



Ref #	Part Number	Qty	S/P/F	Description
1	WD-900-2044	1	S	10 Amp Circuit Breaker
2	WD-900-2014	2		Headlight Assembly
	WD-900-2024	1	S	Lens
	WD-900-2025	1	S	Bulb
	WD-900-2060	1		Lamp
	WD-900-2068	1		Headlight Gasket
3	WD-900-5581	1	S	Electric Clutch Assembly
4	WD-900-2028	1	S	PTO Clutch Switch
5	WD-900-2027	1	S	Light Switch
6	WD-900-2037	1	S	Relay
7	WD-900-2003	1	S	Ignition Switch
8	WD-900-2002	1		Amp Gauge
9	WD-900-2023	1	S	Hour Meter
10	WD-900-2041	1		Oil Light
11	WD-900-2001	1		Seat Switch
12	WD-900-2029	1	S	Safety Switch
13	WD-900-2060	1		Battery
14	WD-900-2010	2		Starter Wire
15	WD-900-2009	1		Ground Wire
16	WD-C44075	1		Wire - light to switch
17	WD-900-2005	1		Solenoid
18	WD-900-2020	1		3 Position Deck Lift Switch
19	WD-900-2033	1		Electric Lift Actuator
20	WD-900-5017	1	S	Oil Sending Unit
	WD-C42241	1		Wiring Harness